

- Input voltage**  
200-240V 3AC (180...264V 3AC)  
400-500V 3AC (340...576V 3AC)
- Input frequency**  
50/60Hz
- Switching operating frequency**  
50KHz typ.
- Input protections**
- Inrush current typ. < 40A @ Vin max, cold-start.
  - EMI filter
  - Line fuses
- See table for**
- Efficiency at Vin 200V or 400V
  - Power factor at Vin 200V or 400V
  - Input current at Vin 200V or 400V
  - Hold up time

- Output power
  - Output voltage and current
  - Output ripple and noise
- Output protections**
- Short circuit protection with automatic restart
  - Overcurrent protection
  - Overvoltage protection
- Start up time**  
<1.3 sec.
- Inhibit input**
- (optional) High active (4.5÷15V)
- Control and adjustment**
- Vadj trimmer
- Operating indicators**
- Green led Vout OK

## FEATURES

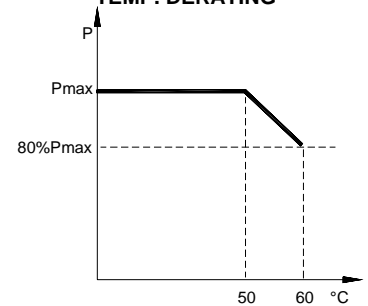
- Operating temperature**  
-10°C to 60°C
- Temperature power derating**  
2%/°C (50÷60°C see diag.)
- Storage temperature**  
-25°C to 85°C
- Temperature drift**  
0.01%/°C typ.
- Long term stability**  
Better than 1% after 24hours typ.
- Cooling**  
Natural convection
- Dielectric withstand voltage**
- Conform to EN 60950
- Isolation**
- Output - P.E.: 500Vdc

- Comply with**
- EN 50081-2
  - EN 61000-6-2
  - EN 61000-3-2 cl. A
  - EN 60950-1
  - CE
- Weight**  
2650g
- Alarm Relay (U.V.P)**  
relay's contacts loading: <=30VA, <=125Vac, <=110Vdc
- Optional features**
- DD - Output decoupl. diode for parallel connection
  - SF - Fixing bracket

## FEATURES TABLE

MODEL	Effic. Typ. %	Power factor Typ.	Input Current A	Hold Up Time ms	Output Power Max W	Vout Nom...Max Volts	Iout Nom (Vout Nom) A	Iout Min A	Voltage Accuracy %	Line Reg. %	Load Reg. %	Ripple & Noise (0÷20MHz) mV
SQ483-3F-200-240	85	0.86	3	>5	360	12...15	30	0	±0.5	±0.5	±2%	<200
SQ483-3F-400-500	85	0.86	1.5	>5								
SQ486-3F-200-240	88	0.86	3	>4	480	24...30	20	0	±0.5	±0.5	±2%	<200
SQ486-3F-400-500	89	0.86	1.5	>4								
SQ488-3F-200-240	88	0.86	3	>4	480	48...55	10	0	±0.5	±0.5	±2%	<200
SQ488-3F-400-500	90	0.86	1.5	>4								

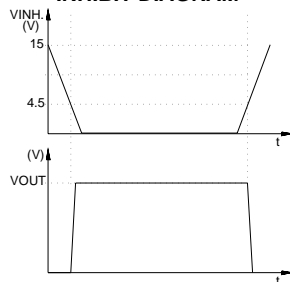
## TEMP. DERATING



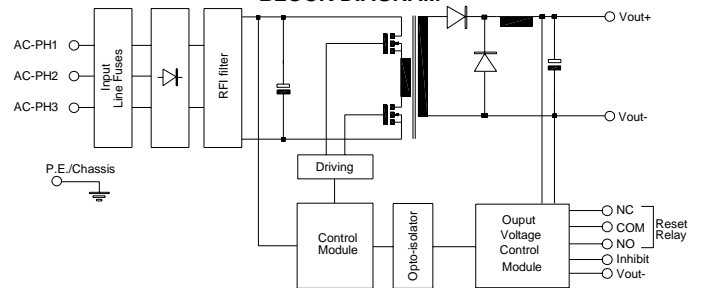
## POWER SUPPLY VIEW



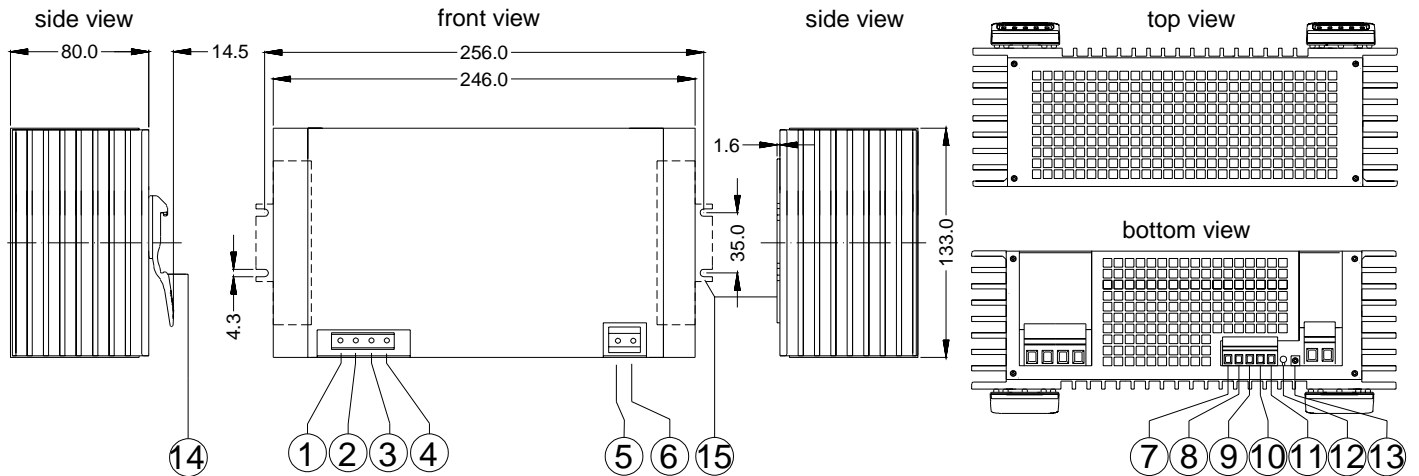
## INHIBIT DIAGRAM



## BLOCK DIAGRAM



## DIMENSIONS AND CONNECTIONS



- 1) ACinput phase1 2) ACinput phase2 3) ACinput phase3 4) P.E. 5) Vout- 6) Vout+ 7) Vout- 8) Inhibit 9) Reset relay NO  
10) Reset relay COM 11) Reset relay NC 12) led Vout ok 13) Vadj trimmer 14) DIN track attachment 15) SF-Fixing Bracket