



Input voltage
400-500V 3AC (340-576V 3AC resp. 480-810VDC)

Input frequency
50-60Hz

Efficiency
90% typ. at Pnom.

Switching operating frequency
70KHz typ.

Power factor
0,66 typ.

Input protections

- Inrush current typ. <30A @ Vin max, cold-start.
- EMI filter
- Line fuses

See table for

- Output voltage and current
- Output ripple and noise
- Line and load regulation

Output protections

- Overvoltage protection
- Over load protection

Output power
240W

Control and adjustment

- Vadjust trimmer (21.6...28.0V)

Operating indicators

- Green led Vout OK

Operating temperature
-10°C to 70°C

Temperature power derating
60÷70°C see diag.

Storage temperature
-40°C to 85°C

Temperature drift
0.05%/°C typ.

Long term stability
Better than 1% after 8 hours

FEATURES

Humidity
10÷90% non condensing

Cooling
Natural convection

Dielectric withstand voltage

- Comply with EN 60950-1

Isolation

- Output - P.E.: 500Vdc

Comply with

- CE
- IEC 60950-1 (AC and DC input)
- EN 60950-1 (AC and DC input)
- UL 60950-1 (AC and DC input)
- CSA 22.2 No. 60950-1 (AC and DC input)
- UL 508 Listed (AC and DC input)
- CSA 22.2-107 (AC and DC input)

Weight
1000g

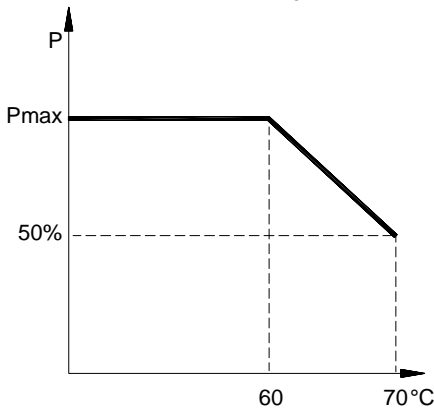
Approvals (pending):

- UL - Listed UL 508 (AC and DC input)
 - cULus - Recognized UL 60950 (AC and DC input)
 - cCSAus - Certified CSA 22.2-107 (AC and DC input)
- EMC standards:**
- EN 55011 (EN 55022)
 - EN 61000-3-2
 - EN 61000-4-2
 - EN 61000-4-3
 - EN 61000-4-4
 - EN 61000-4-5
 - EN 61000-4-6
 - EN 61000-4-8
 - EN 61000-4-11
 - EN 61204-3
- Optional features**
- AL - Alarm relay contact
 - DD - Output decoupl. diode for parallel connection

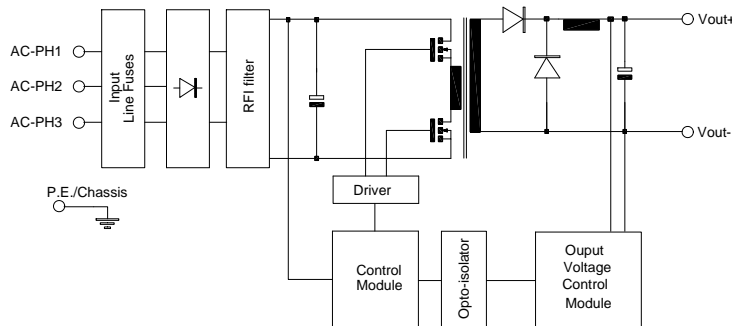
FEATURES TABLE

Vout Nom Volts	Iout Nom (Vout Nom) A	Iout Min A	Voltage Accuracy %	Line Reg. %	Load Reg. %	Ripple & Noise (0÷20MHz) mV
24	10	0	0-1%	0.5%	1%	<100

TEMP. DERATING



BLOCK DIAGRAM



POWER SUPPLY VIEW



DIMENSIONS AND CONNECTIONS

