

Input voltage

200-240V 3AC (180...264V 3AC)
400-500V 3AC (340...576V 3AC)

Input frequency

50/60Hz

Switching operating frequency

50KHz typ.

Input protections

- Inrush current typ. < 30A @ Vin max, cold-start.

- EML filter

- Line fuses

See table for

- Efficiency at Vin 200V or 400V
- Power factor at Vin 200V or 400V
- Input current at Vin 200V or 400V
- Hold up time

- Output power
- Output voltage and current
- Output ripple and noise

Output protections

- Short circuit protection with automatic restart

- Overcurrent protection

- Overvoltage protection

Start up time

<1.5 sec.

Inhibit input

- (optional) High active (4.5÷15V)

Control and adjustment

- Vadj. trimmer

Operating indicators

- Green led VoutOK

FEATURES

Operating temperature

-10°C to 60°C

Temperature power derating

2%/°C (50÷60°C)

Storage temperature

-25°C to 85°C

Temperature drift

0.01%/°C typ.

Long term stability

Better than 1% after 24hours typ.

Cooling

Natural convection

Dielectric withstand voltage

- Conform to EN 60950

Isolation

- Output - P.E.: 500Vdc

Comply with

- EN 50081-2
- EN 61000-6-2
- EN 61000-3-2 cl. A
- EN 60950

Weight

1000g

Alarm Relay (U.V.P)

relay's contacts loading: <=30VA, <=125Vac, <=110Vdc

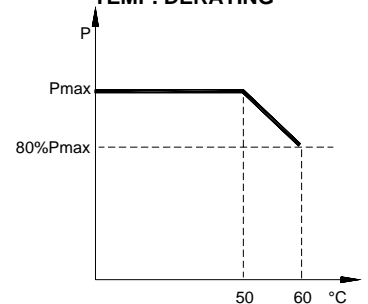
Optional features

- DD - Output decoupl. diode for parallel connection
- SF - Fixing bracket

FEATURES TABLE

MODEL	Effic. Typ. %	Power Factor Typ.	Input Current A	Hold Up Time ms	Output Power Max W	Vout Nom...Max V	Iout Nom (Vout Nom) A	Iout Min A	Voltage Accuracy %	Line Reg. %	Load Reg. %	Ripple & Noise (0÷20MHz) mV
SQ243-3F-200-240	84	0.58	2	>5	180	12...15	15	0	±0.5	±0.5	±2	<200
SQ243-3F-400-500	84	0.58	1	>5								
SQ246-3F-200-240	87	0.58	2	>4	240	24...30	10	0	±0.5	±0.5	±2	<200
SQ246-3F-400-500	88	0.58	1	>4								
SQ248-3F-200-240	86	0.58	2	>4	240	48...55	5	0	±0.5	±0.5	±2	<200
SQ248-3F-400-500	88	0.58	1	>4								

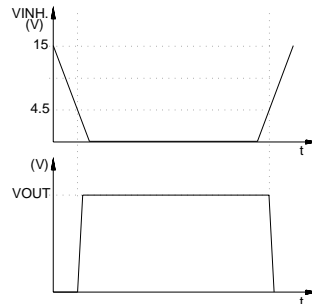
TEMP. DERATING



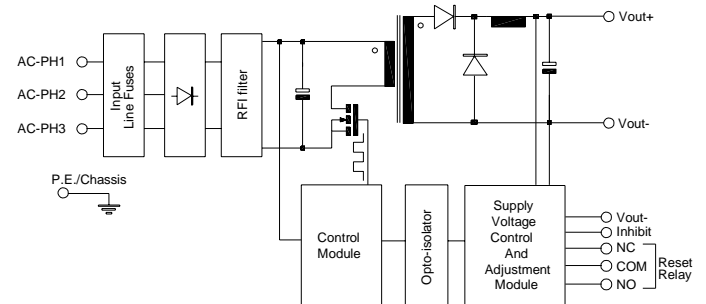
POWER SUPPLY VIEW



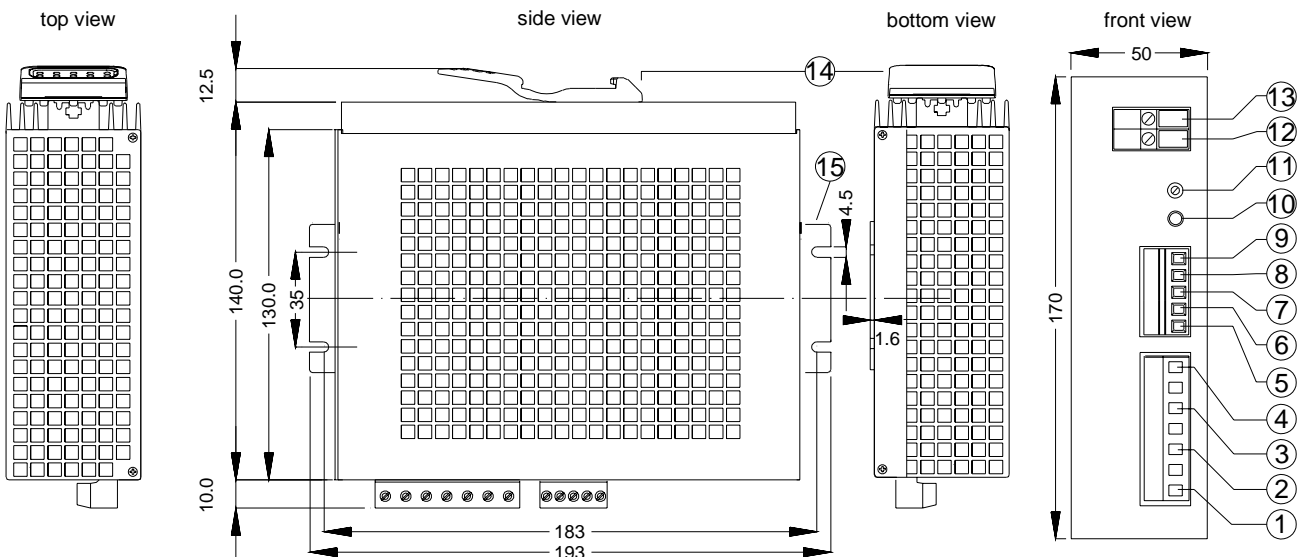
INHIBIT DIAGRAM



BLOCK DIAGRAM



DIMENSIONS AND CONNECTIONS



- 1)ACinput phase1 2)ACinput phase2 3)ACinput phase3 4)P.E. 5)Reset relay NO 6)Reset relay Com 7)Reset relay NC
8)Inhibit 9)Vout- 10)LED Vok 11)Vadj. trimmer 12)Vout- 13)Vout+ 14)H-For RAIL-DIN mouting 15)SF-Fixing bracket