

## FEATURES

### Input voltage

100-120/220-240Vac  
90...132Vac/180...264Vac  
(Internal voltage selector)

### Input frequency

50/60Hz

### Switching operating frequency

50KHz typ.

### Input protections

- Inrush current typ. < 30A @ 264Vac, cold-start.

- EMI filter

- Line fuses

### See table for

- Efficiency at Vinput 240Vac
- Power factor at Vinput 240Vac
- Input current at Vinput 110/240Vac

- Hold up time
- Output power
- Output voltage and current
- Output ripple and noise

### Output protections

- Short circuit protection with automatic restart

- Overcurrent protection

- Overvoltage protection

### Start up time

<2.5 sec.

### Inhibit input

- (optional) High active (4.5-15V)

### Control and adjustment

- Vadj. trimmer

### Operating indicators

- Green led Vout OK

### Operating temperature

-10°C to 60°C

### Temperature power derating

2%/°C (50÷60°C see diag.)

### Storage temperature

-25°C to 85°C

### Temperature drift

0.01%/°C typ.

### Long term stability

Better than 1% after 24hours

### Cooling

Natural convection

### Dielectric withstand voltage

- Conform to EN 60950

### Isolation

- Output - P.E.: 500Vdc

### Comply with

- EN 50081-1
- EN 61000-6-2
- EN 61000-3-2 cl. A
- EN 60950-1
- CE

### Weight

750g

### Optional features

- AL - Alarm relay contact
- DD - Output decoupl. diode for parallel connection
- SF - Fixing bracket

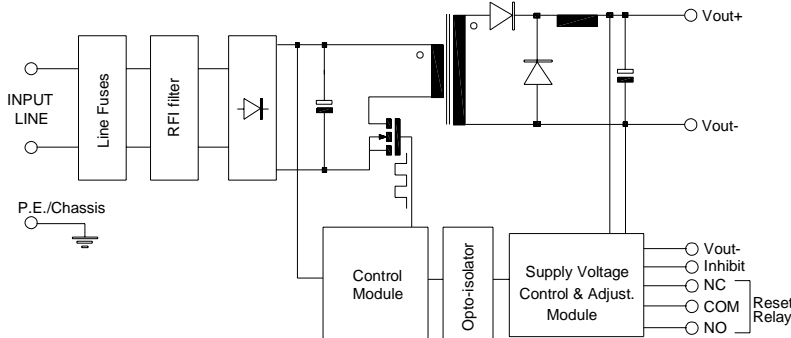
## FEATURES TABLE

MODEL	Efficiency Typ. %	Power Factor Typ.	Input Current A	Hold Up Time ms	Output Power Max W	Vout Nom...Max V	Iout Nom (Vout Nom) A	Iout Min A	Voltage Accuracy %	Line Reg. %	Load Reg. %	Ripple & Noise (0÷20MHz) mV
SQ123-1F	84	0.65	2.4/1.2	>15	96	12...15	8	0	±0.5	±0.5	±2%	<200
SQ126-1F	86	0.65	2.4/1.2	>10	120	24...30	5	0	±0.5	±0.5	±2%	<200
SQ128-1F	85	0.65	2.4/1.2	>10	120	48...55	2.5	0	±0.5	±0.5	±2%	<200

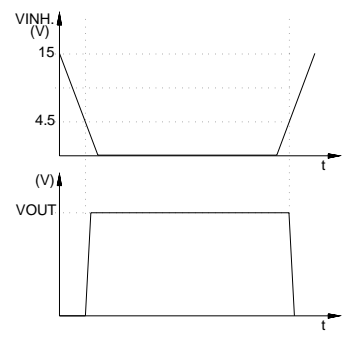
## POWER SUPPLY VIEW



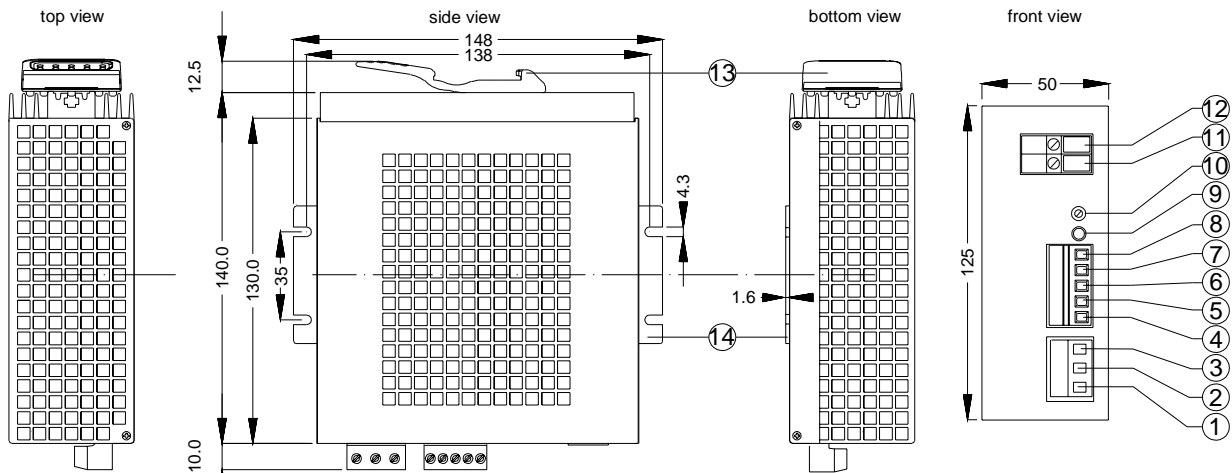
## BLOCK DIAGRAM



## INHIBIT DIAGRAM



## DIMENSIONS AND CONNECTIONS



- 1)ACinput N 2)ACinput L 3)P.E. 4)Reset relay N.O. 5)Reset relay Com 6)Reset relay N.C. 7)Inhibit  
8)Vout- 9)LED Vok 10)Vadj. trimmer 11)Vout- 12)Vout+ 13)DIN track attachment 14)SF-Fixing bracket