



## FEATURES

### Input voltage

115/230Vac ±15%  
( jumper selectable on on pcb)

### Input frequency

50/60Hz

### Efficiency

75% typ. (depending on output voltage)

### Switching operating frequency

50KHz ca.

### Input protections

- Start-up peak current lim.: 30A at Vin=230Vac
- EMI filter
- Line fuses

### Leakage current to GND

Max 2mA at 50Hz

### See table for

- Output voltages and currents
- Line and load regulation
- Output ripple and noise

### Output protections

- Overload protection
- Short circuit protection
- Overvoltage: at Vo + 25% typ.

### Hold up time

15msec min.

### Start up time

60msec typ.

### Output power

390W (see table)

### Remote sense compensation

0.5V max

### Output signals

- Alarm relay contact (U.V.P)

### Control and adjustment

- Vadjust trimmer on front panel

### Test points

Vout test-points on front panel

### Operating indicators

- Led Vout OK on front panel

### Operating temperature

0°C to 50°C

### Temperature power derating

2%/°C (50÷70°C)

### Storage temperature

-20°C to 85°C

### Temperature drift

0.01%/°C typ.

### Long term stability

Better than 1% after 24 hours

### Cooling

Natural convection

### Dielectric withstand voltage

- Input - Output : 3750Vac (on insul.comp.)
- Input - P.E.: 1750Vac

### Isolation

- Output - P.E.: 500Vdc

### Comply with

- EN 50081-1
- EN 61000-6-2
- EN 60950-1
- CE

### Weight

2200g

### Optional features

- AL - Alarm relay contact
- DC - DC input for AC-DC units
- DD - Output decoupl. diode for parallel connection
- INH - Inhibit input ; inhibits all outputs
- PROG - Programmable Vout

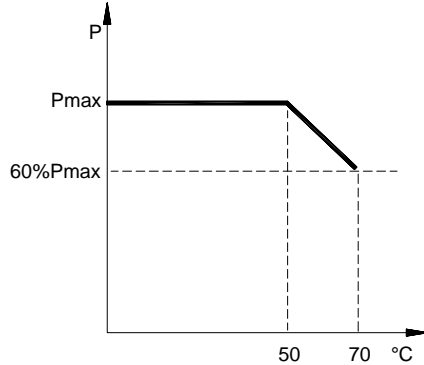
## FEATURES TABLE

| MODEL | Output Power W | Vout Volts | Output voltage adj. Volts | Iout Ampere | Line regulation VIN(min÷max) % | Load regulation (10÷100%) % | Ripple & Noise (0÷30MHz) % Vout |
|-------|----------------|------------|---------------------------|-------------|--------------------------------|-----------------------------|---------------------------------|
| S413R | 384            | 12         | 10.5÷14                   | 32          | ±0.1                           | ±0.5                        | 1                               |
| S414R | 390            | 15         | 14÷17                     | 26          | ±0.1                           | ±0.5                        | 1                               |
| S416R | 384            | 24         | 20÷28                     | 16          | ±0.1                           | ±0.5                        | 1                               |
| S417R | 396            | 36         | 31÷42                     | 11          | ±0.1                           | ±0.5                        | 1                               |
| S418R | 384            | 48         | 41÷52                     | 8           | ±0.1                           | ±0.5                        | 1                               |
| S419R | 384            | 96         | 86÷110                    | 4           | ±0.1                           | ±0.5                        | 1                               |

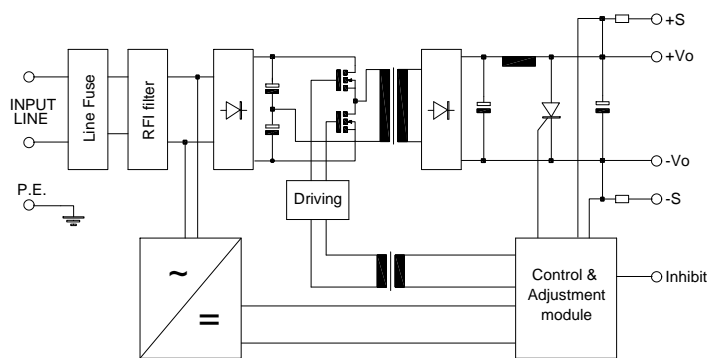
### POWER SUPPLY VIEW



### TEMP. POWER DERATING



### BLOCK DIAGRAM



## DIMENSIONS AND CONNECTIONS

