

## FEATURES

### Input voltage

115/230Vac  $\pm 15\%$ , jumper on pcb  
90÷264Vac with PFC

### Input frequency

50/60Hz

### Efficiency

75% typ.

### Input protections

- Start-up peak current limitation : 30A at Vin=220Vac
- Fuses on both input lines and EMI filter

### Leakage current to GND

Max 2mA at 50Hz

### See table for

- Output voltages and current
- Line and load regulation
- Output ripple and noise

### Output protections

- Overload
- Short circuit
- Overvoltage : at Vo + 25% typ.
- Over temperature: shutdown above 95°C

### Hold up time

15msec min.

### Start up time

60msec typ.

### Output power

384÷480W (see table)

### Remote sense compensation

0,5V max

### Inhibit input

- TTL/CMOS comp. low active

### Operating indicators

- Green led : input voltage
- Yellow led : over temperature protection
- Red led : power failure

### Operating temperature

0°C to 50°C

### Temperature power derating

2%/°C (50÷70°C)

### Storage temperature

-20°C to 85°C

### Long term stability

Better than 1% after 24 hours

### Cooling

Forced ventilation

### Dielectric withstand voltage

- Input - Output : 3750Vac (on insulating components)
- Input - P.E.: 1750Vac

### Isolation

- Output - P.E.: 500Vdc

### Comply with

- EN 50081-1
- EN 61000-6-2
- EN 60950-1
- CE

### Weight

A=4450gr. B=3600gr.

### Optional features

- DC - DC input for AC-DC units
- PF - Power fail/reset signals
- DD - Output decoupl. diode for parallel connection
- AL - Alarm relay contact

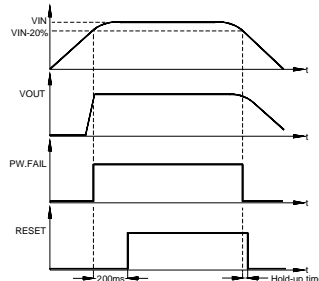
## FEATURES TABLE

MODEL	Enclosure	Output Power W	Vout Volts	Output voltage adj. Volts	Iout Ampere	Line regulation VIN(min÷max) %	Load regulation (10÷100%) %	Ripple & Noise (0÷30MHz) % Vout
S402	A	400	5	4.5÷5.5	80	$\pm 0.1$	$\pm 0.5$	1
S403	A-B	384	12	10.5÷14	32	$\pm 0.1$	$\pm 0.5$	1
S404	A-B	390	15	14÷17	26	$\pm 0.1$	$\pm 0.5$	1
S406	B	384	24	20÷28	16	$\pm 0.1$	$\pm 0.5$	1
S407	B	432	36	31÷42	12	$\pm 0.1$	$\pm 0.5$	1
S408	B	480	48	41÷52	10	$\pm 0.1$	$\pm 0.5$	1
S409	B	480	96	85÷110	5	$\pm 0.1$	$\pm 0.5$	1

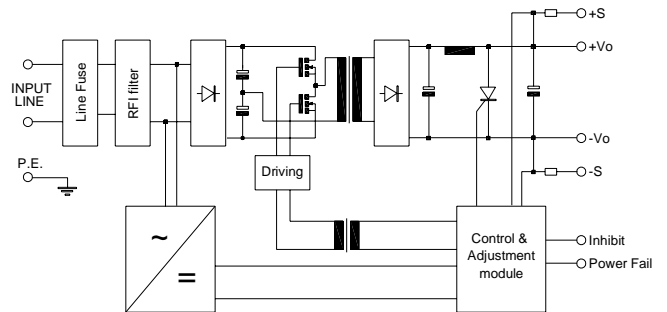
### S400 VIEW



### PF/RESET SIGNALS

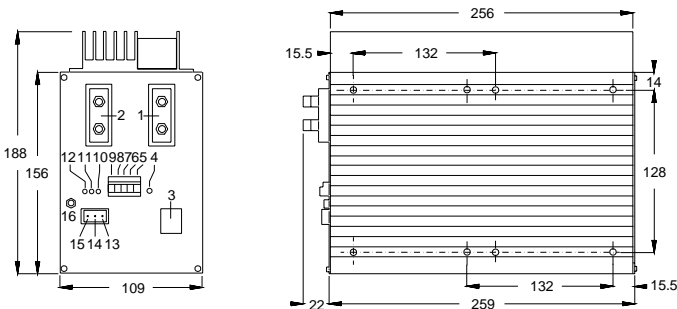


### BLOCK DIAGRAM

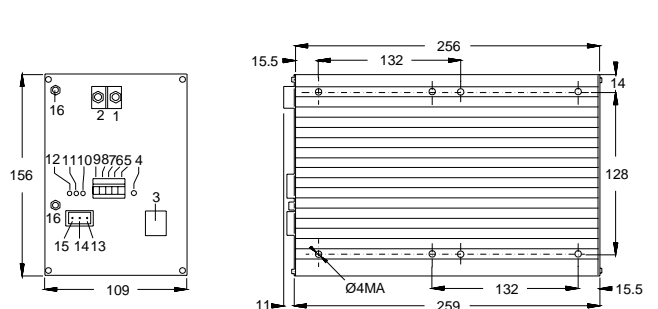


## DIMENSIONS AND CONNECTIONS

### enclosure type -A-



### enclosure type -B-



- 1)Vout+ 2)Vout- 3)Label sr.num. 4)Vadj. 5)Sense+ 6)Sense- 7)Power Fail (opt. relay N.O.) 8)Inhibit 9)Reset (opt. relay COM)  
10)Led Power Fail. 11)Led over-temperature 12)Led line-ON 13)AC input N 14)n.c. 15)AC input L 16)P.E./Chassis