

FEATURES

Input voltage

115/230Vac $\pm 15\%$
(jumper selectable on pcb)

Input frequency

50/60Hz

Efficiency

75% typ.

Input protections

- Inrush current limitation: 10A at $V_{in}=220V_{ac}$
- EMI filter
- Line fuse

Leakage current to GND

Max 1mA at 50Hz

See table for

- Output voltages and currents
- Line and load regulation
- Output ripple and noise

Output protections

- Overcurrent
- Short circuit
- Overvoltage: ($V_{out} + 25\%$) typ.

Hold up time

20msec typ.

Output power

60W (see table)

Remote sense compensation

0.5V max

Output signals

- Power good, only on 5V version

Inhibit input

- TTL comp. high active

Control and adjustment

- V_{out} through trimmer on front panel

Test points

Output voltage test-points on front panel

Operating indicators

- Led V_{out} OK on front panel

Operating temperature

0°C to 50°C

Temperature power derating

2%/°C (50÷70°C)

Storage temperature

-20°C to 85°C

Temperature drift

0.01%/°C

Long term stability

Better than 1% after 24 hours

Cooling

Natural convection

Dielectric withstand voltage

- Input - Output : 3750Vac (on insul.comp.)
- Input - P.E.: 1750Vac

Isolation

- Output - P.E.: 500Vdc

Comply with

- EN 50081-1
- EN 61000-6-2
- EN 60950-1
- CE

Weight

785g

Optional features

- AL - Alarm relay contact
- DC - DC input for AC-DC units

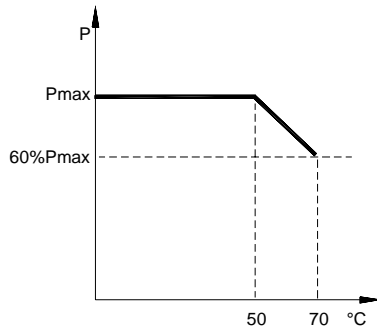
FEATURES TABLE

MODEL	Output Power W	Vout Volts	Iout Ampere	Line regulation VIN(min÷max) %	Load regulation (10÷100%) %	Ripple & Noise (0÷20MHz) mV
S072R	60	5	12	± 0.1	± 0.5	50
S073R	60	12	5	± 0.1	± 0.5	100
S074R	60	15	4	± 0.1	± 0.5	100
S076R	60	24	2.5	± 0.1	± 0.5	100
S077R	61.2	36	1.7	± 0.1	± 0.5	100
S078R	62.4	48	1.3	± 0.1	± 0.5	100
S079R	57.6	96	0.6	± 0.1	± 0.5	200

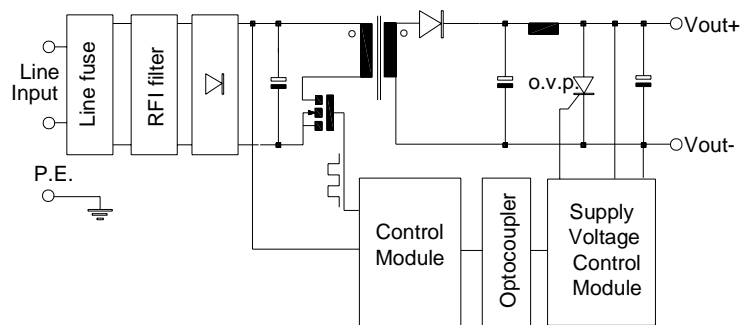
POWER SUPPLY VIEW VIEW



TEMP. POWER DERATING

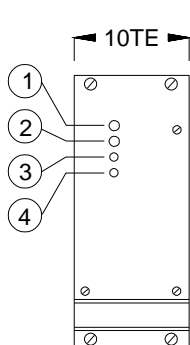


BLOCK DIAGRAM

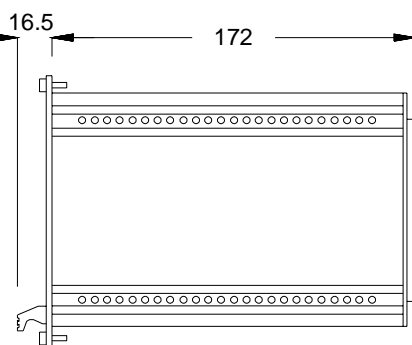


DIMENSION AND CONNECTIONS

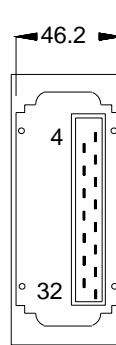
front view



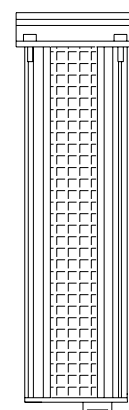
side view



rear view



top view



- 04) VOUT+
- 06) VOUT+
- 08) COM1
- 10) COM1
- 12) SENSE+
- 14) SENSE-
- 16) no conn.
- 18) PW.GOOD
- 20) relais N.O.
- 22) relais COM
- 24) relais N.C.
- 26)
- 28) ACinputL
- 30) ACinputN
- 32) P.E./CHASSIS

1) Trimmer Vadjust 2) Led VoutOK 3) Test point- 4) Test point+