

FEATURES

Input voltage

90÷264Vac

Input frequency

50/60Hz

Efficiency

75% typ.

Switching operating frequency

60KHz ca.

Input protections

- Inrush current limitation
- EMI filter and line fuse
- Input undervoltage prot.

Leakage current to GND

Max 2mA at 50Hz

See table for

- Output voltages and currents
- Line regulation (min÷max)Vin
- Load regulation (10÷100%)Iout
- Output ripple (0÷20MHz)

Output protections

- Overload protection on all outputs

- Short circuit protection on all outputs
- Overvoltage: on output A at Vo + 25% typ.

Hold up time

15msec min.

Output power

27÷43W (see table)

Operating temperature

0°C to 50°C

Temperature power derating

2%/°C (50÷70°C)

Storage temperature

-20°C to 85°C

Temperature drift

0.05%/°C

Long term stability

Better than 1% after 24 hours

Cooling

Natural convection

Dielectric withstand voltage

- Input - Output: 3750Vac (on insul.comp.)

- Input - P.E.: 1750Vac

Isolation

- Output - P.E.: 500Vdc

Comply with

- EN 61000-6-4
- EN 61000-6-2
- EN 60950-1
- CE

Weight

open-frame: 440g, closed: 660g

MTBF

100000h/35°C

Note

- 5V version is provided only with fixed type output connector.

Optional features

- DC - DC input for AC-DC units
- C - Closed box
- H - RAIL-DIN mounting
- PF - Power fail/reset signals

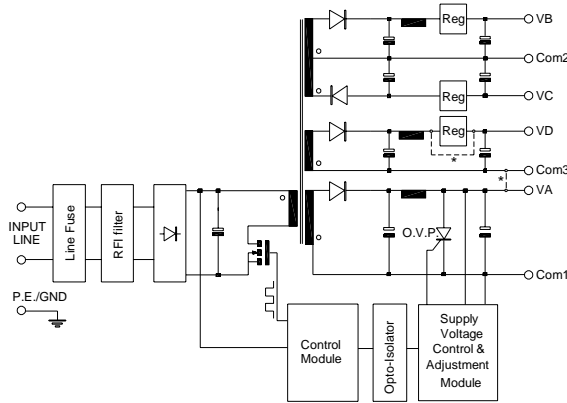
FEATURES TABLE

MODEL	Output Power W	OUT	Vout V	Iout A	Imin A	Line reg. %	Load reg. %	Ripple %Vo	MODEL	Output power W	OUT	Vout V	Iout A	Imin A	Line reg. %	Load reg. %	Ripple %Vo
M037	27	A (sw)	5	3	0.5	±0.1	2	1	M037-POT	39	A (sw)	5	3	0.5	±0.1	2	1
		B (sr)	12	0.5	0	±0.1	2	1			C (sr)	-12	0.5	0	±0.1	2	1
		C (sr)	-12	0.5	0	±0.1	2	1			D (sr)	12	1.5	0	±0.1	2	1
M037/5	32	A (sw)	5	3	0.5	±0.1	2	1	M037/12	43.8	A (sw)	5	3	0.5	±0.1	2	1
		B (sr)	12	0.5	0	±0.1	2	1			B (sr)	12	0.7	0	±0.1	2	1
		C (sr)	-12	0.5	0	±0.1	2	1			C (sr)	-12	0.7	0	±0.1	2	1
		D (sr)	5	1	0	±0.1	2	1			D (sr)	12	1	0	±0.1	2	1

POWER SUPPLY VIEW

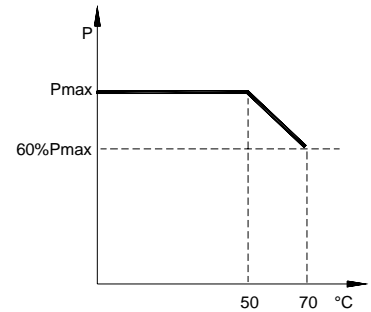


BLOCK DIAGRAM



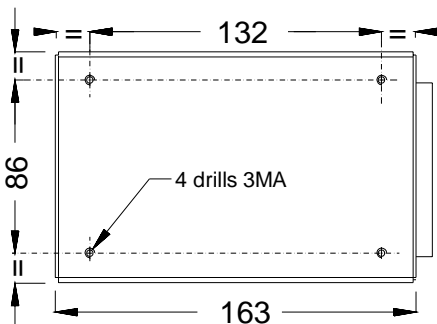
* Only for M037POT

TEMP. POWER DERATING

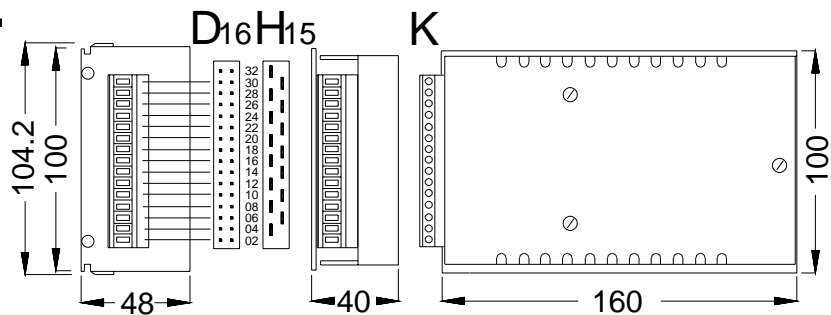


DIMENSIONS AND CONNECTIONS

enclosure -C- bottom and front views



open-frame front and top views



- 02)VA 04)VA 06)Com1 08)Com1 10)Power fail 12)Reset 14)VD 16)Com3
18)VB 20)COM2 22)VC 24)P.E./Chassis 26)n.c. 28)ACinputN 30)ACinputL 32)n.c.