

## FEATURES

### Input voltage

17÷29 Vdc

### Efficiency

89% typ. @ Pn Vin nom.

### Input protections

- Input line fuse T25A 6,3x32
- Inrush current limitation <=30A

### See table for

- Output voltage and current
- Line and load regulation
- Ripple and noise

### Output protections

- Over current protection at 100÷120% I<sub>max</sub>
- Over voltage protection at 1,2÷1,35 V<sub>nom</sub>
- Heatsink over temperature protection at 95°±105°C

- Reverse polarity

### Hold up time

Class S2 up 180W

### Output power

240W max

### Operating indicators

- Green led is ON when V<sub>out</sub> > 11V, while it is OFF when V<sub>out</sub> < 10,5V

### Operating temperature

-40°C to 70°C

### Storage temperature

-40°C to 85°C

### Cooling

Ext. Forced ventilation

### Isolation

- Input - GND: 1500Vdc
- Out - GND: 500Vdc

### Comply with

- EN50155
- EN 60950
- CE

### Parallel connection

With output decoupling diode (passive share)

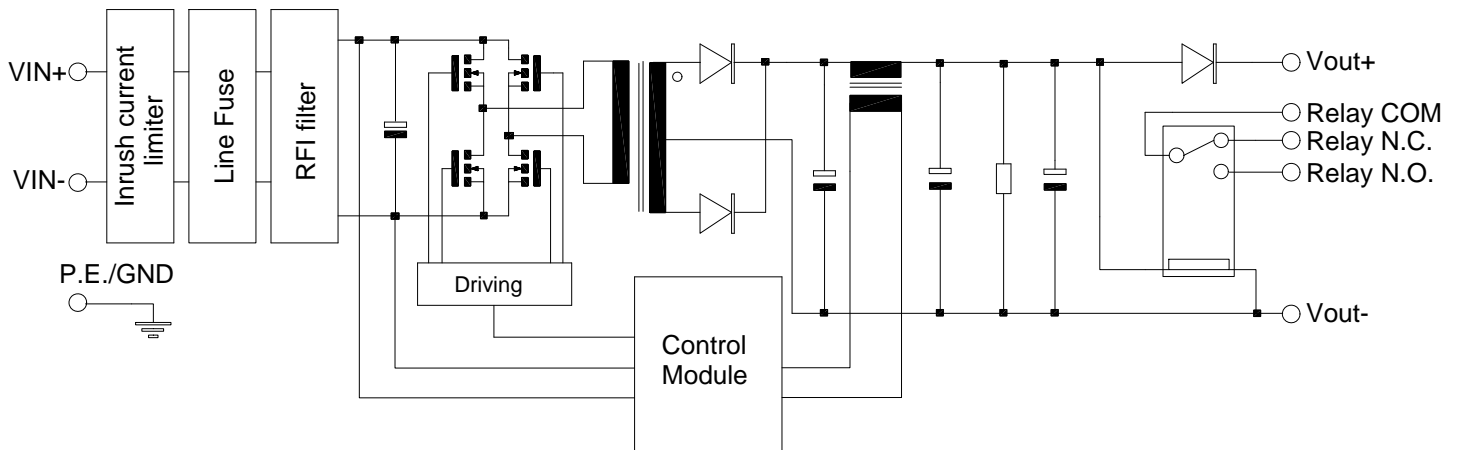
### ALARM SIGNALS

Relay contacts 5 and 6 are CLOSE when V<sub>out</sub> > 11V, while they are OPEN when V<sub>out</sub> < 10,5V

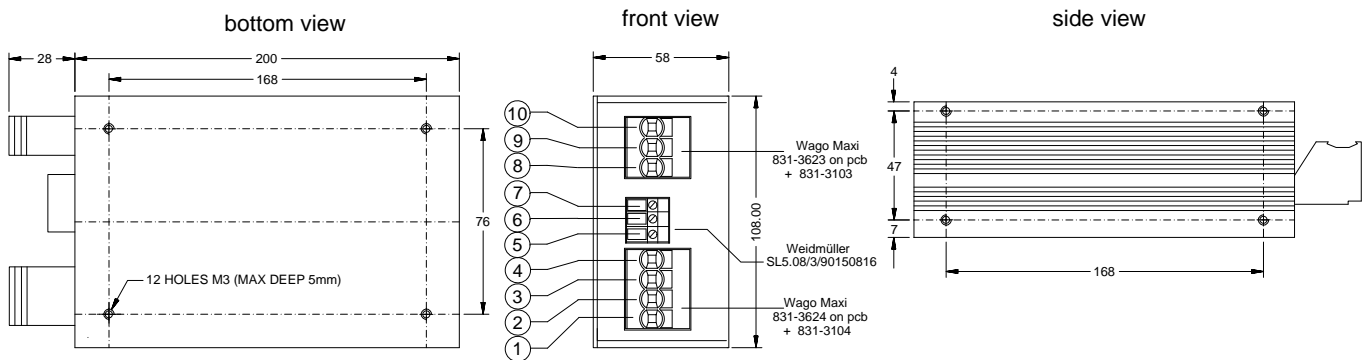
## FEATURES TABLE

Vout Volts	Iout Max Ampere	Imin Ampere	Line & load regulation VIN(min÷max) Load(10÷100%) %	Ripple & Noise (0÷20MHz) mV @ 25°C
12	20	0	±2%	100

## BLOCK DIAGRAM



## DIMENSIONS AND CONNECTIONS



1) Vout + 2) Vout + 3) Vout- 4) Vout- 5) Relay Alarm N.O. 6) Relay Alarm COM 7) Relay Alarm N.C. 8) Vin+ 9) Vin- 10) P.E.