

## FEATURES

### Input voltage

90÷264Vac

### Input frequency

50/60Hz

### Efficiency

75% typ.

### Switching operating frequency

60KHz ca.

### Input protections

- Inrush current limitation
- EMI filter and line fuse
- Input undervoltage prot.

### Leakage current to GND

Max 2mA at 50Hz

### See table for

- Output voltages and currents
- Line regulation (min÷max)Vin
- Load regulation (10÷100%)Iout
- Output ripple (0÷20MHz)

### Output protections

- Overload protection on all outputs

- Short circuit protection on all outputs
- Overvoltage: on output A at  $V_o + 25\%$  typ.

### Hold up time

15msec min.

### Output power

40W

### Operating temperature

0°C to 50°C

### Temperature power derating

2%/°C (50÷70°C)

### Storage temperature

-20°C to 85°C

### Temperature drift

0.05%/°C

### Long term stability

Better than 1% after 24 hours

### Cooling

Natural convection

### Dielectric withstand voltage

- Input - Output: 3750Vac (on insul.comp.)
- Input - P.E.: 1750Vac

### Isolation

- Output - P.E.: 500Vdc

### Comply with

- EN 50081-1
- EN 61000-6-2
- EN 60950
- CE

### Weight

open-frame: 440g, closed: 660g

### Optional features

- C - Closed box
- H - RAIL-DIN mounting
- PF - Power fail/reset signals

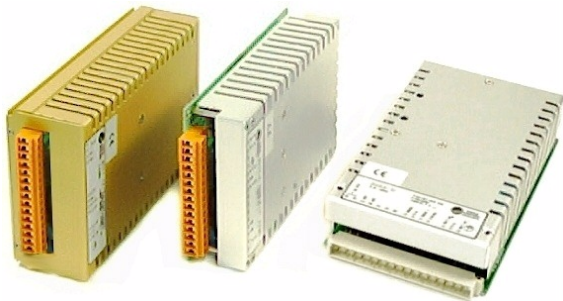
### Note

- 5V version is provided only with fixed type output connector.

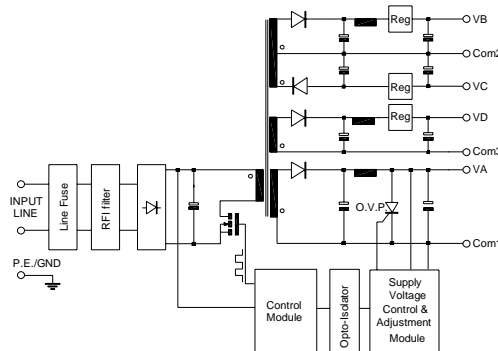
## FEATURES TABLE

MODEL	OUT	Vout V	Iout A	Imin A	Line reg. %	Load reg. %	Ripple %Vo
M039	A (sw)	5	3	0.5	±0.1	2	1
	B (sr)	12	0.5	0	±0.1	2	1
	C (sr)	12	0.5	0	±0.1	2	1
	D (sr)	24	0.5	0	±0.1	2	1

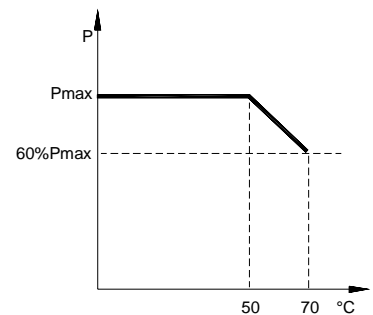
## M039 VIEW



## BLOCK DIAGRAM

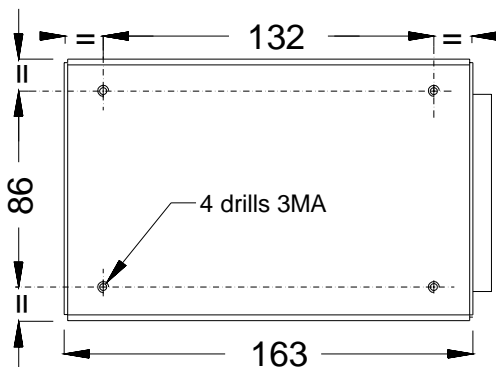


## TEMP. POWER DERATING

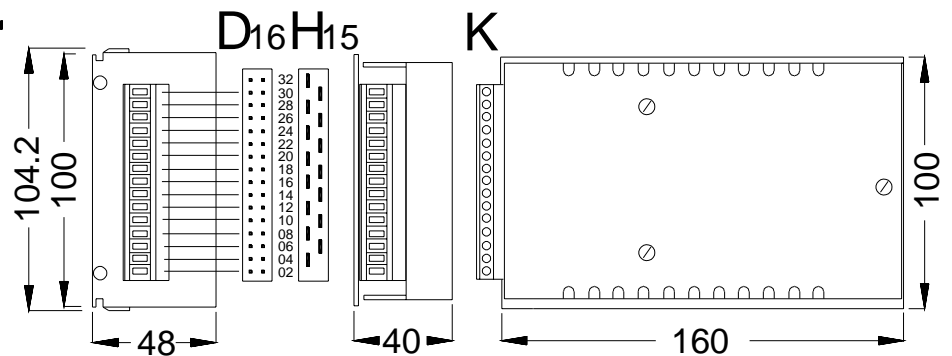


## DIMENSIONS AND CONNECTIONS

### enclosure -C- bottom and front views



### open-frame front and top views



02)VA 04)VA 06)Com1 08)Com1 10)Power fail 12)Reset 14)VD 16)Com3  
18)VB 20)COM2 22)VC 24)P.E./Chassis 26)n.c. 28)ACinputN 30)ACinputL 32)n.c.