

## FEATURES

### Input voltage

105-240Vac  
94...264Vac

### Input frequency

50/60Hz

### Switching operating frequency

50KHz typ.

### Input protections

• Inrush current typ. < 40A @ 264Vac, cold-start.

- EMI filter
- Line fuses

### See table for

- Efficiency at Vinput 240Vac
- Power factor at Vinput 240Vac
- Input current at Vinput 110Vac
- Hold up time

- Output power
- Output voltage and current
- Output ripple and noise

### Output protections

• Short circuit protection with automatic restart

- Overcurrent protection
- Overvoltage protection

### Start up time

<1.1 sec.

### Inhibit input

- (optional) High active (4.5÷15V)

### Operating temperature

-10°C to 60°C

### Temperature power derating

2%/°C (50÷60°C see diag.)

### Storage temperature

-25°C to 85°C

### Temperature drift

0.01%/°C typ.

### Long term stability

Better than 1% after 24hours typ.

### Cooling

Natural convection

### Control and adjustment

- Vadjust trimmer

### Operating indicators

- Green led Vout OK

### Dielectric withstand voltage

- Conform to EN 60950

### Isolation

- Output - P.E.: 500Vdc

### Comply with

- EN 50081-2
- EN 61000-6-2
- EN 61000-3-2 cl. A
- EN 60950
- CE

### Weight

2.65Kg

### Optional features

- DD - Output decoupl. diode for parallel connection

- SF - Fixing bracket

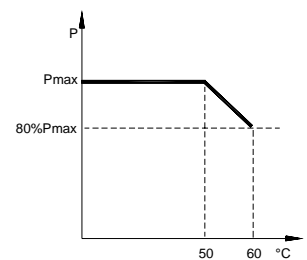
### Alarm Relay (U.V.P)

relay's contacts loading: <=30VA, <=125Vac, <=110Vdc

## FEATURES TABLE

MODEL	Effic. Typ. %	Power Factor Typ.	Input Current A	Hold Up Time ms	Output Power Max W	Vout Nom...Max V	Iout Nom (Vout Nom) A	Iout Min A	Voltage Accuracy %	Line Reg. %	Load Reg. %	Ripple & Noise (0÷20MHz) mV
SQ483-1F	84	0.97	7	>40	360	12...15	30	0	±0.5	±0.5	±2%	<200
SQ486-1F	86	0.97	7	>30	480	24...30	20	0	±0.5	±0.5	±2%	<200
SQ488-1F	87	0.97	7	>30	480	48...55	10	0	±0.5	±0.5	±2%	<200

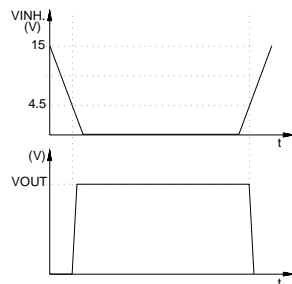
## TEMP. DERATING



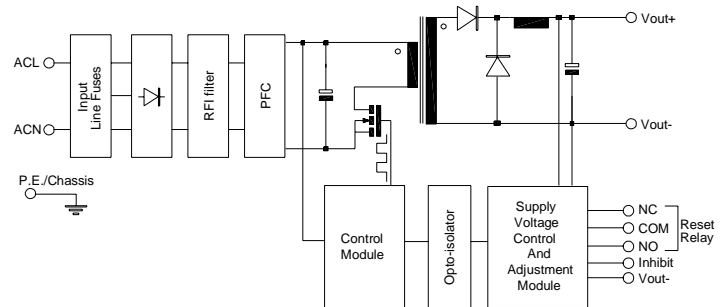
## POWER SUPPLY VIEW



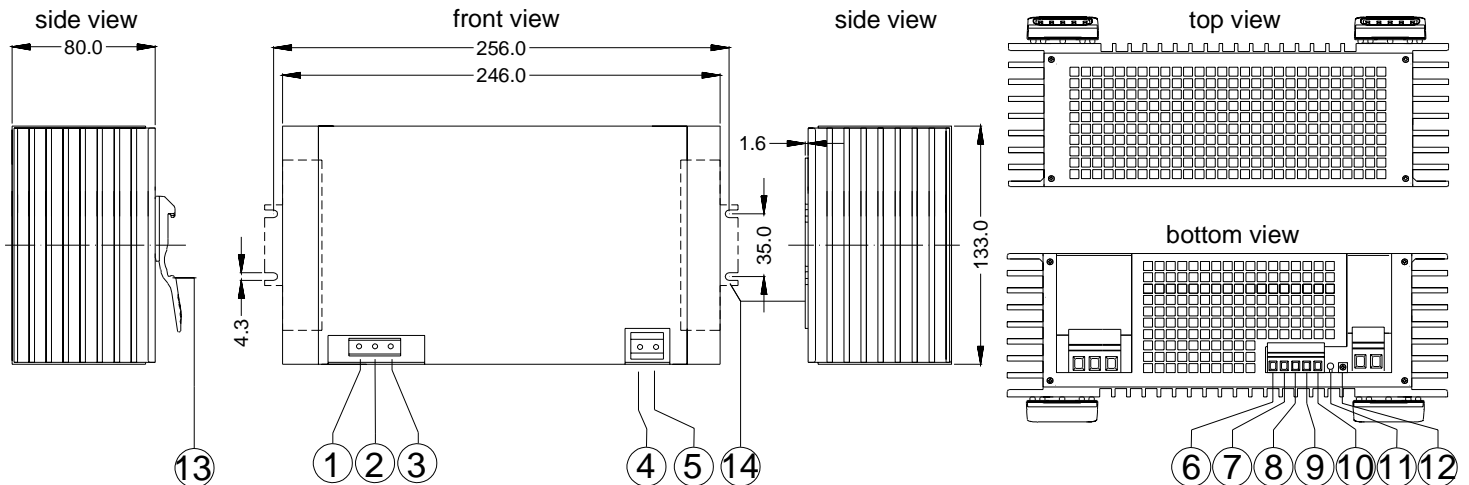
## INHIBIT DIAGRAM



## BLOCK DIAGRAM



## DIMENSIONS AND CONNECTIONS



- 1)ACinput L 2)ACinput N 3)P.E. 4)Vout- 5)Vout+ 6)Vout- 7)Inhibit 8)Reset relay NO 9)Reset relay COM  
10)Reset relay NC 11)led Vout ok 12)Vadj trimmer 13)DIN track attachment 14)SF-Fixing Bracket

Note: all features are subject to change without notice.