

Input voltage
400-500V 3AC (340...576V 3AC)
Input current
3.5A
Input frequency
50/60Hz
Efficiency
91%
Switching operating frequency
30KHz typ.
Power factor
0,89 typ.
Input protections
• Inrush current typ. < 50A @ Vin max, cold-start.
• RFI filter
• Fuses

• Overvoltage pulse limitation
See table for
• Efficiency at Vin 400V
• Power factor at Vin 400V
• Input current at Vin 400V
• Hold up time
• Output power
• Output voltage and current
• Output ripple and noise
Output protections
• Short circuit prot. with automatic resume
• Over current protection
• Over voltage protection
Start up time
<0.1 sec.
Output power
1440W

FEATURES

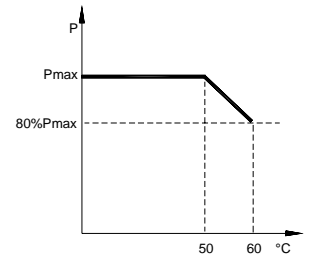
Inhibit input
• (optional) High active (4.5÷15V)
Control and adjustment
• Vadjust trimmer
Operating temperature
-10°C to 60°C
Temperature power derating
2%/°C (50÷60°C see diag.)
Storage temperature
-25°C to 85°C
Temperature drift
0.01%/°C typ.
Long term stability
Better than 1% after 24hours typ.
Cooling
Forced ventilation

Dielectric withstand voltage
• Comply to EN 60950
Isolation
• Output - P.E.: 500Vdc
Comply with
• EN 55011 class B
• EN 55022 class B
• EN 50081-1
• EN 50082-2
• EN 60950-1
• CE
Weight
4.75Kg

FEATURES TABLE

MODEL	Effic. Typ. %	Power Factor Typ.	Input Current A	Hold Up Time ms	Vout Nom...Max V	Iout Nom. (Vout Nom) A	Iout Min A	Voltage Accuracy %	Line Reg. %	Load Reg. %	Ripple & Noise (0÷20MHz) mV
SQ1506-3F-400-500	91	0.89	3.5	>6	24...30	60	0	±0.5	±0.5%	±2%	<200
SQ1508-3F-400-500	91	0.89	3.5	>6	48...55	31	0	±0.5	±0.5%	±2%	<200

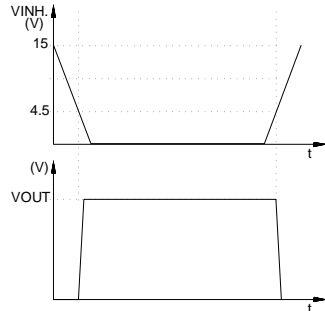
TEMP. DERATING



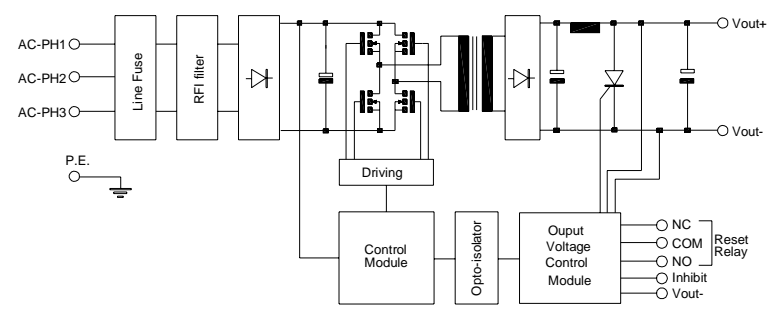
POWER SUPPLY VIEW



INHIBIT DIAGRAM



BLOCK DIAGRAM



DIMENSIONS AND CONNECTIONS

