

Input voltage
187...264Vac

Input current
10A max

Input frequency
50/60Hz

Efficiency
89% at Vin=240Vac

Switching operating frequency
50KHz typ.

Power factor
0,96 typ. At Vin=240Vac

Input protections
• Inrush current typ. < 50A @ 264Vac, cold-start.

• EMI filter
• Line fuses
See table for
• Output voltage and current
• Output ripple and noise
Output protections
• Short circuit protection with automatic restart
• Overcurrent protection
• Overvoltage protection
Start up time
<0.2 sec.
Output power
1500W max.
Inhibit input
• (optional) High active (4.5÷15V)

FEATURES

Control and adjustment
• Trimmer Vadjust

Operating indicators
• Led Vout OK

Operating temperature
-10°C to 50°C

Storage temperature
-25°C to 85°C

Temperature drift
0.01%/°C typ.

Long term stability
Better than 1% after 24hours typ.

Cooling
Forced ventilation

Dielectric withstand voltage
• Conform to EN 60950

Isolation
• Output - P.E.: 500Vdc

Comply with
• EN 50081-1
• EN 61000-6-2
• EN 61000-3-2 cl. A
• EN 60950-1
• CE

Weight
4650g

Alarm Relay (U.V.P)
relay's contacts loading: <=30VA, <=125Vac, <=110Vdc

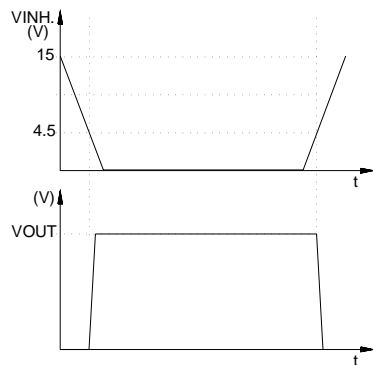
FEATURES TABLE

MODEL	Vout Nom V	Iout Nom A	Iout Min A	Voltage Accuracy %	Line Reg. %	Load Reg. %	Ripple & Noise (0÷20MHz) mV
SQ1506-1F	24	60	0	±0.5	±0.5	±2%	<200
SQ1507-1F	36	40	0	±0.5	±0.5	±2%	<200
SQ1508-1F	48	30	0	±0.5	±0.5	±2%	<200

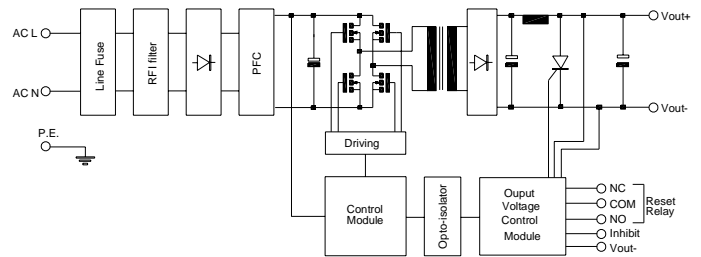
POWER SUPPLY VIEW



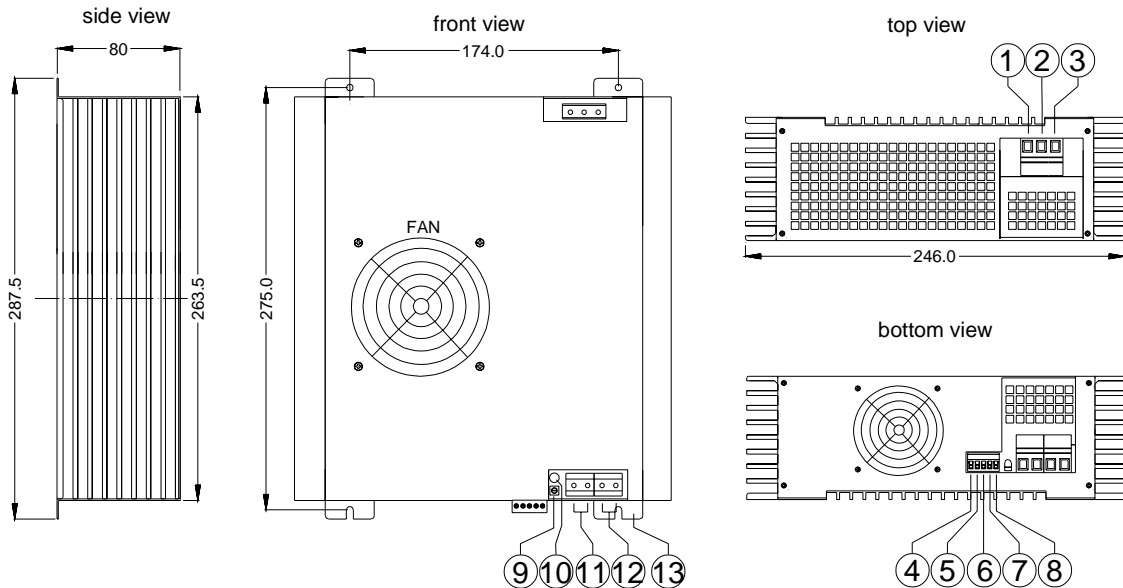
INHIBIT DIAGRAM



BLOCK DIAGRAM



DIMENSIONS AND CONNECTIONS



- 1)AC input L 2)AC input N 3)P.E. 4)Vout- 5)Inhibit 6)Reset relay NO 7)Reset relay COM
8)Reset relay NC 9)Vadj. 10)led Vout ok 11)Vout- 12)Vout+ 13)SF-Fixing Bracket