

**Input voltage**  
400-500V 3AC (340-576V 3AC resp.480-810VDC)

**Input frequency**  
50-60Hz

**Efficiency**  
86% typ. at Pnom.

**Switching operating frequency**  
70KHz typ.

**Power factor**  
0,66 typ.

**Input protections**

- Inrush current typ. < 30A @ Vin max, cold-start.
- EMI filter
- Line fuses

**See table for**

- Output voltage and current
- Output ripple and noise
- Line and load regulation

**Output protections**

- Overvoltage protection
- Over load protection

**Output power**  
120W

**Control and adjustment**

- Vadjust trimmer (21.6...28.0V)

**Operating indicators**

- Green led Vout OK

**Operating temperature**  
-10°C to 70°C

**Temperature power derating**  
60÷70°C see diag.

**Storage temperature**  
-40°C to 85°C

**Temperature drift**  
0.05%/°C typ.

**Long term stability**  
Better than 1% after 8 hours

## FEATURES

**Humidity**  
10÷90% non condensing

**Cooling**  
Natural convection

**Dielectric withstand voltage**

- Conform to EN 60950-1

**Isolation**

- Output - P.E.: 500Vdc

**Comply with**

- CE

**Weight**  
0,75Kg

**Approvals (pending):**

- IEC 60950-1 (AC and DC input)
- EN 60950-1 (AC and DC input)
- UL 60950-1 (AC and DC input)
- CSA 22.2 No. 60950-1 (AC and DC input)

- UL 508 Listed (AC and DC input)
- EN 50178 (AC and DC input)
- EN 60204 (AC and DC input)

## EMC standards:

- EN 55011 (EN 55022)
- EN 61000-3-2
- EN 61000-4-2
- EN 61000-4-3
- EN 61000-4-4
- EN 61000-4-5
- EN 61000-4-6
- EN 61000-4-8
- EN 61000-4-11
- EN 61204-3

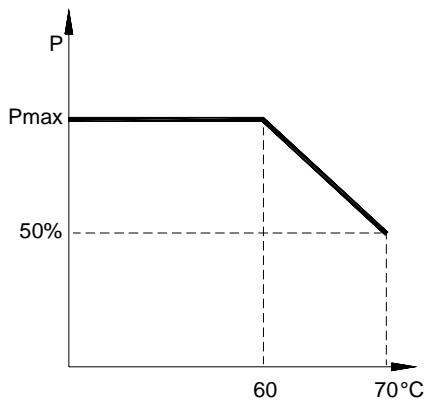
## Optional features

- AL - Alarm relay contact
- DD - Output decoupl. diode for parallel connection
- I - Inhibit input ; inhibits all outputs

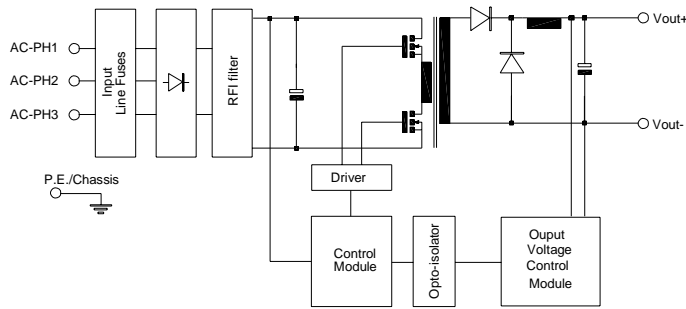
## FEATURES TABLE

Vout Nom Volts	Iout Nom (Vout Nom) A	Iout Min A	Voltage Accuracy %	Line Reg. %	Load Reg. %	Ripple & Noise (0÷20MHz) mV
24	5	0	0-1%	0.5%	1%	<100

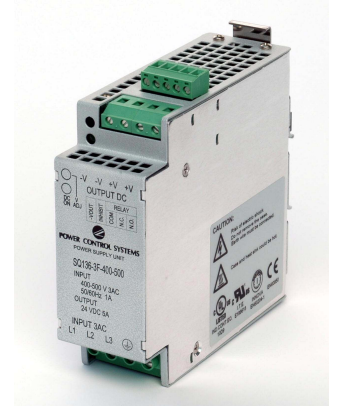
## TEMP. DERATING



## BLOCK DIAGRAM



## POWER SUPPLY VIEW



## DIMENSIONS AND CONNECTIONS

