

FEATURES

Input voltage

100-120/220-240Vac
90...132Vac/180...264Vac
(Internal voltage selector)

Input frequency

50/60Hz

Switching operating frequency

50KHz typ.

Input protections

- Inrush current typ. < 30A @ 264Vac, cold-start.

- EMI filter

- Line fuses

See table for

- Efficiency at Vinut 240Vac
- Power factor at Vinut 240Vac
- Input current at Vinut 110/240Vac

- Hold up time
- Output power
- Output voltage and current
- Output ripple and noise

Output protections

- Short circuit protection with automatic restart

- Overcurrent protection

- Overvoltage protection

Start up time

<2.5 sec.

Inhibit input

- (optional) High active (4.5-15V)

Operating temperature

-10°C to 60°C

Temperature power derating

2%/°C (50÷60°C see diag.)

Storage temperature

-25°C to 85°C

Temperature drift

0.01%/°C typ.

Long term stability

Better than 1% after 24hours

Cooling

Natural convection

Control and adjustment

- Vadj. trimmer

Operating indicators

- Green led Vout OK

Dielectric withstand voltage

- Conform to EN 60950

Isolation

- Output - P.E.: 500Vdc

Comply with

- EN 50081-1
- EN 61000-6-2
- EN 61000-3-2 cl. A
- EN 60950

Weight

750gr.

Optional features

- AL - Alarm relay contact
- DD - Output decoupl. diode for parallel connection
- SF - Fixing bracket

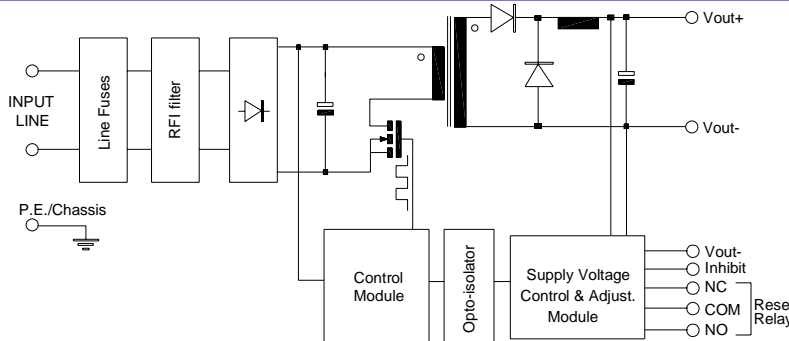
FEATURES TABLE

MODEL	Efficiency Typ. %	Power Factor Typ.	Input Current A	Hold Up Time ms	Output Power Max W	Vout Nom...Max V	Iout Nom (Vout Nom) A	Iout Min A	Voltage Accuracy %	Line Reg. %	Load Reg. %	Ripple & Noise (0÷20MHz) mV
SQ123-1F	84	0.65	2.4/1.2	>15	96	12...15	8	0	±0.5	±0.5	±2%	<200
SQ126-1F	86	0.65	2.4/1.2	>10	120	24...30	5	0	±0.5	±0.5	±2%	<200
SQ128-1F	85	0.65	2.4/1.2	>10	120	48...55	2.5	0	±0.5	±0.5	±2%	<200

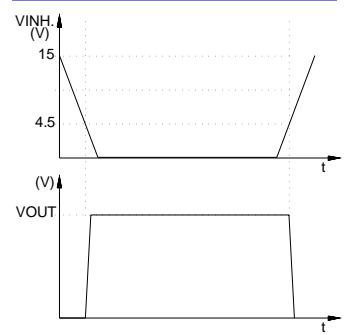
POWER SUPPLY



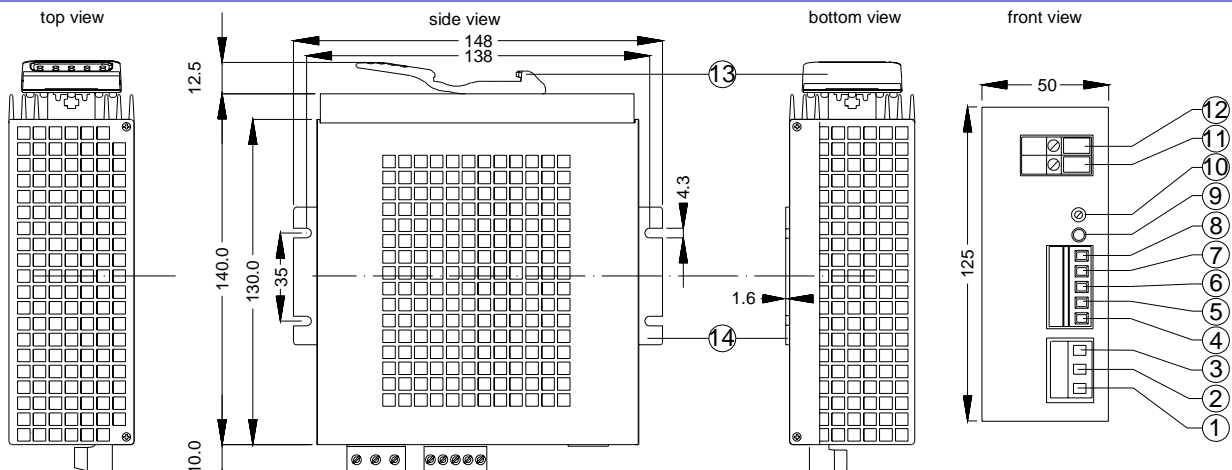
BLOCK DIAGRAM



INHIBIT DIAGRAM



DIMENSIONS AND CONNECTIONS



- 1)ACinput N 2)ACinput L 3)P.E. 4)Reset relay N.O. 5)Reset relay Com 6)Reset relay N.C. 7)Inhibit
8)Vout- 9)LED Vok 10)Vadj. trimmer 11)Vout- 12)Vout+ 13)DIN track attachment 14)SF-Fixing bracket

Note: all features are subject to change without notice.